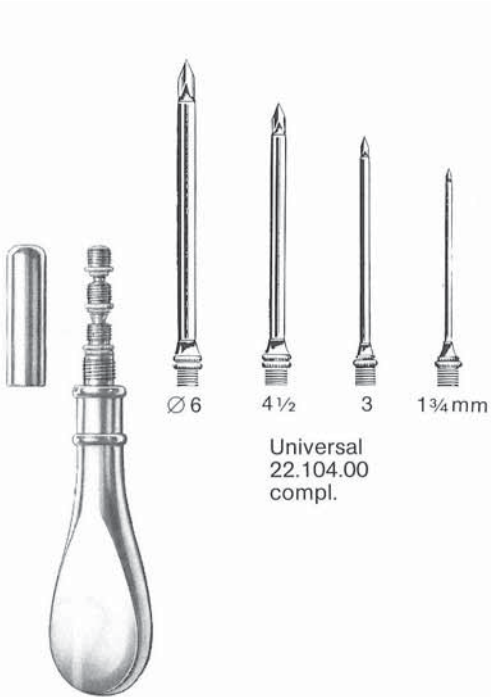


22

Trokare, Punktionsnadeln
Trocars, Puncture Needles
Trocarts, Aiguilles à ponction
Trócares, Agujas para punción
Trequarti, Aghi da punzione



Universal
22.104.00
compl.



mm	Standard	Standard	PIERCE
3,0	22.110.30	22.120.30	22.123.30
3,5	22.110.35	22.120.35	
4,0	22.110.40	22.120.40	22.123.40
4,5	22.110.45	22.120.45	
5,0	22.110.50	22.120.50	22.123.50
5,5	22.110.55	22.120.55	
6,0	22.110.60	22.120.60	



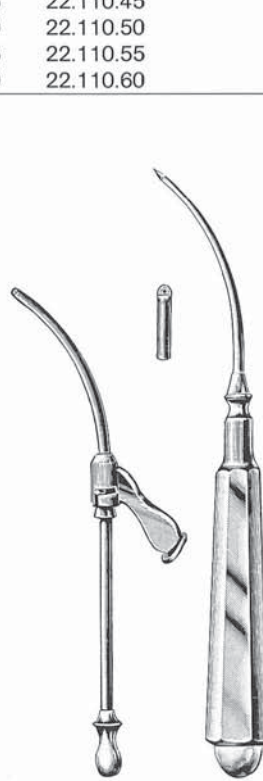
DOUGLAS
22.125.11
3 mm Ø



FLEURANT
22.127.23
23 cm
5 mm Ø



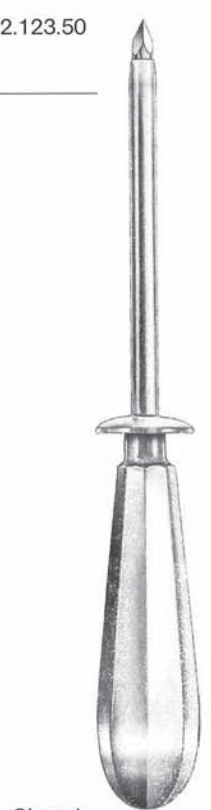
LICHTWITZ
22.128.20
1,70 mm Ø



COAKLEY
22.140.02
2,25 mm Ø

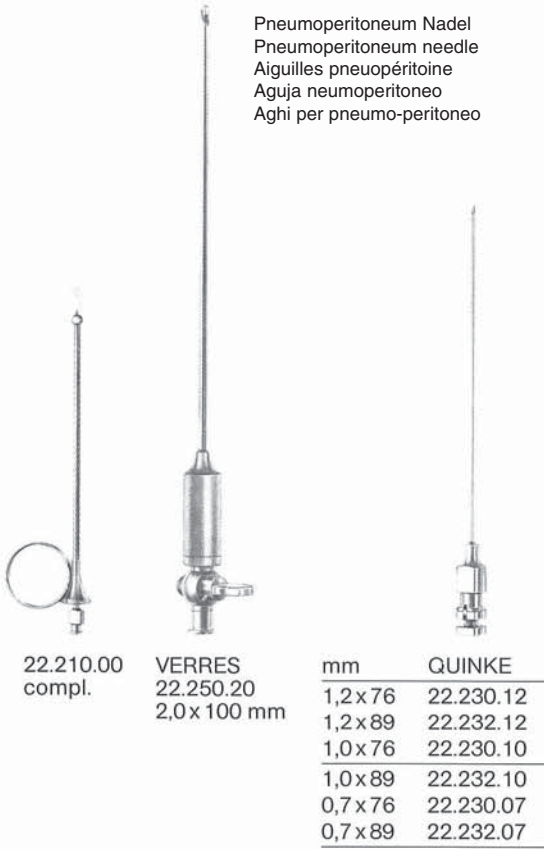


Charr./ F.G.	OCHSNER
10	22.150.10
12	22.150.12
14	22.150.14
16	22.150.16
18	22.150.18
20	22.150.20



Charr./ F.G.	NELSON
25	22.170.25
30	22.170.30
33	22.170.33
35	22.170.35

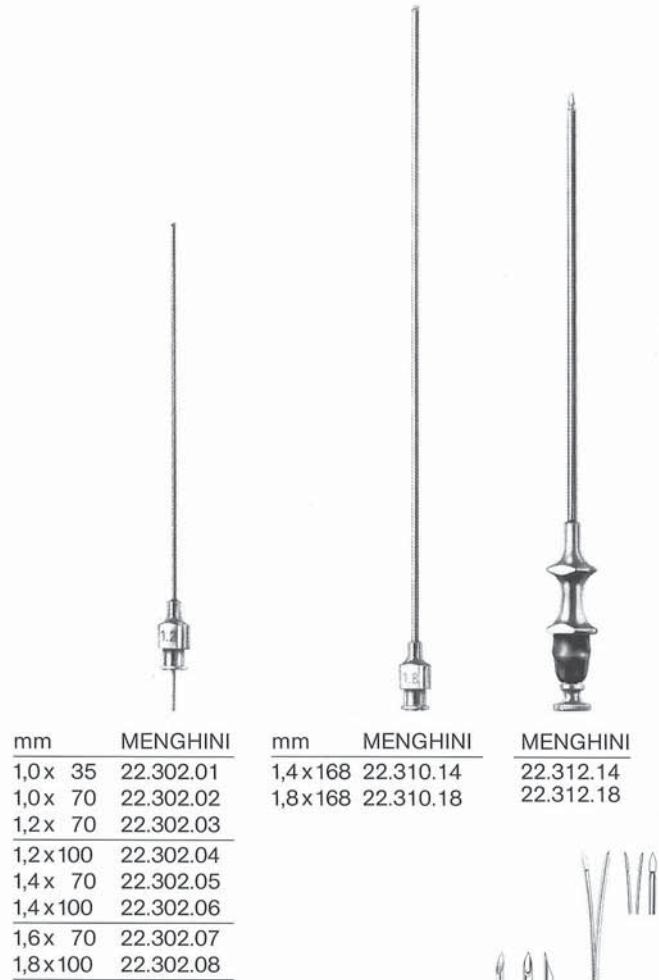
Pneumoperitoneum Nadel
 Pneumoperitoneum needle
 Aiguilles pneumopéritoine
 Aguja neumoperitoneo
 Aghi per pneumo-peritoneo



22.210.00
compl.

VERRES
22.250.20
2,0x 100 mm

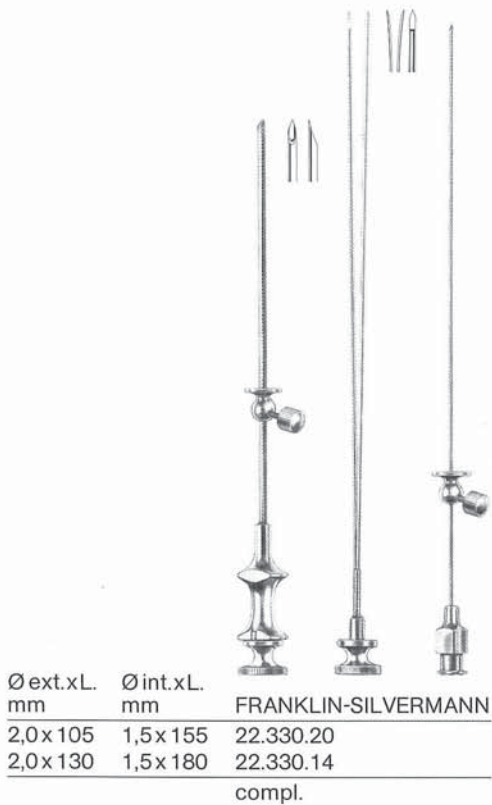
mm	QUINKE
1,2x76	22.230.12
1,2x89	22.232.12
1,0x76	22.230.10
1,0x89	22.232.10
0,7x76	22.230.07
0,7x89	22.232.07



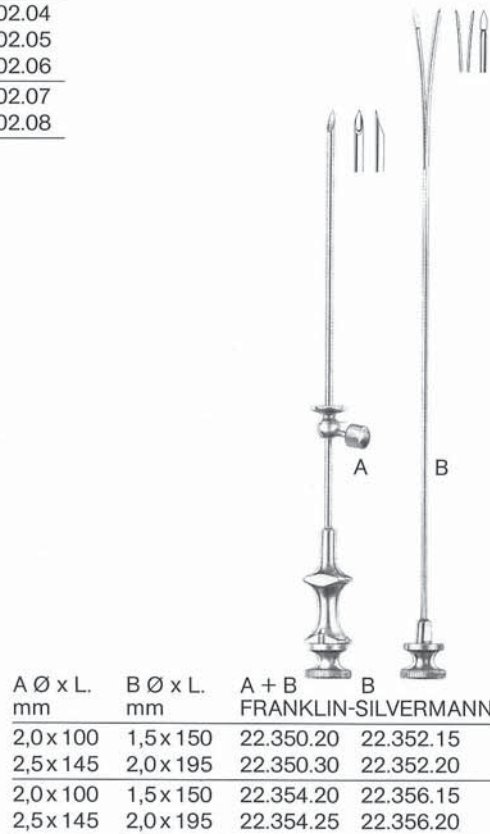
mm	MENGHINI
1,0x 35	22.302.01
1,0x 70	22.302.02
1,2x 70	22.302.03
1,2x100	22.302.04
1,4x 70	22.302.05
1,4x100	22.302.06
1,6x 70	22.302.07
1,8x100	22.302.08

mm	MENGHINI
1,4x168	22.310.14
1,8x168	22.310.18

MENGHINI
22.312.14
22.312.18



Ø ext.xL. mm	Ø int.xL. mm	FRANKLIN-SILVERMANN
2,0x 105	1,5x 155	22.330.20
2,0x 130	1,5x 180	22.330.14
compl.		



A Ø x L. mm	B Ø x L. mm	A + B	B
2,0x100	1,5x 150	22.350.20	22.352.15
2,5x 145	2,0x 195	22.350.30	22.352.20
2,0x 100	1,5x 150	22.354.20	22.356.15
2,5x 145	2,0x 195	22.354.25	22.356.20

dimeda[®]

SURGICAL INSTRUMENTS