

50

Tonsillen  
Tonsils  
Amygdales  
Amígdalas  
Tonsille

Tonsillen  
Tonsils  
Amygdales  
Amígdalas  
Tonsille

**dimeda**<sup>®</sup>

SURGICAL INSTRUMENTS



mm	LOVE
18	50.103.18
20	50.103.20
22	50.103.22



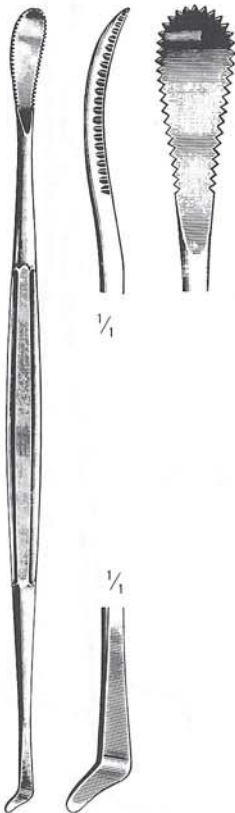
HOFER  
50.109.24  
24 cm



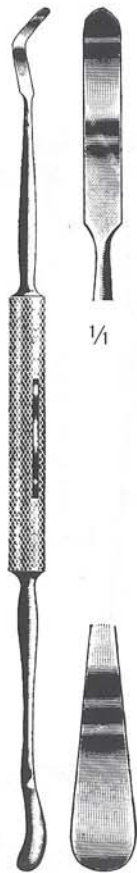
NAGER  
50.111.23  
23 cm



HURD  
50.131.22  
glatt · smooth · lisse  
liso · liscio  
22 cm  
50.133.22  
gezahnt · serrated  
dentelé · dentado  
dentellato  
22 cm



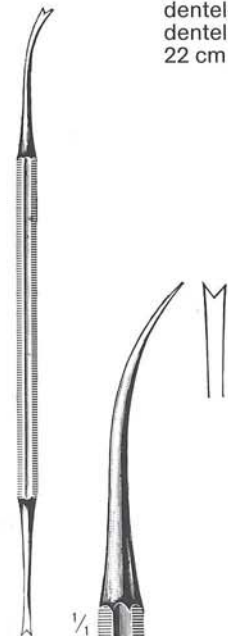
HENKE  
50.135.23  
23 cm



CARPENTER  
50.139.25  
25 cm



CARPENTER  
50.143.24  
24 cm

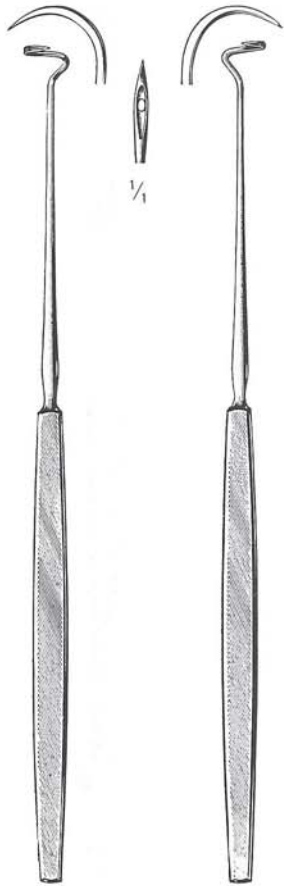


LUNIATSCHEK  
50.151.19  
19 cm

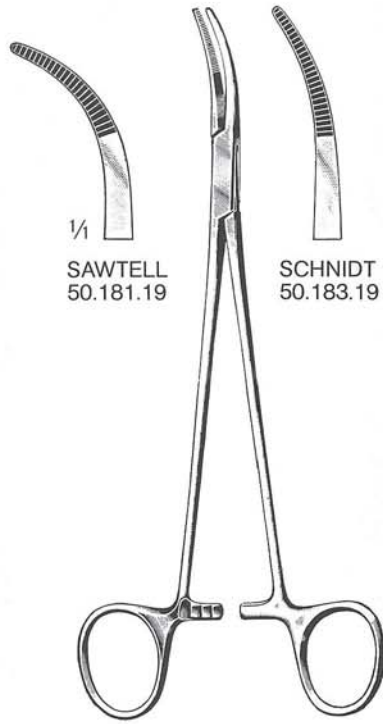
Tonsillen  
Tonsils  
Amygdales  
Amígdalas  
Tonsille

**dimed**<sup>®</sup>

SURGICAL INSTRUMENTS

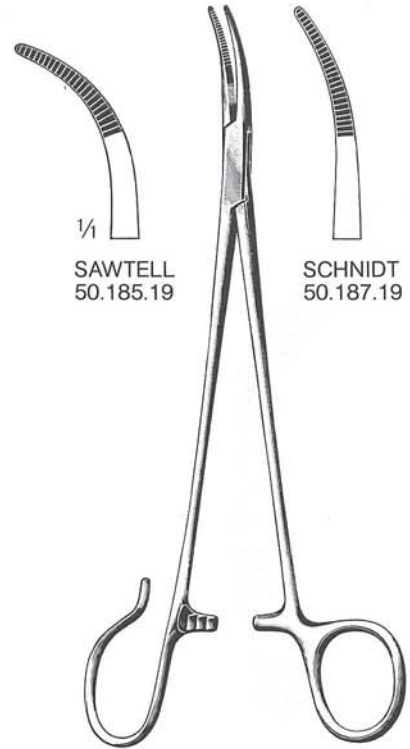


DUPUY-WEISS  
50.165.22    50.167.22  
22 cm



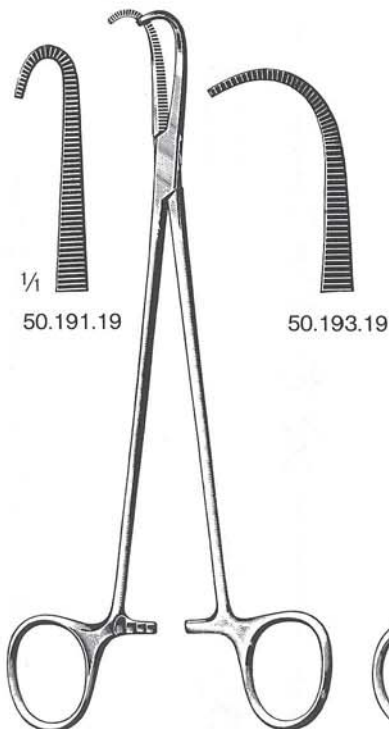
SAWTELL 50.181.19    SCHNIDT 50.183.19

50.181.19-50.183.19  
19 cm



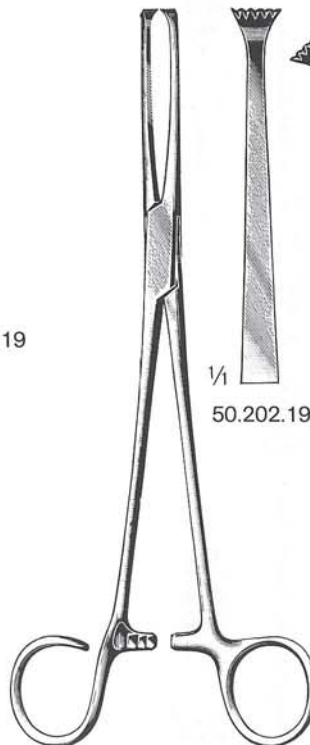
SAWTELL 50.185.19    SCHNIDT 50.187.19

50.185.19-50.187.19  
19 cm



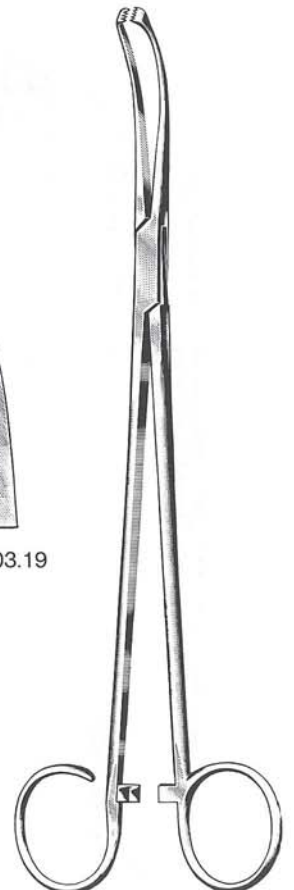
50.191.19    50.193.19

NEGUS  
50.191.19-50.193.19  
19 cm



50.202.19    50.203.19

COLVER  
50.202.19-50.203.19  
19 cm

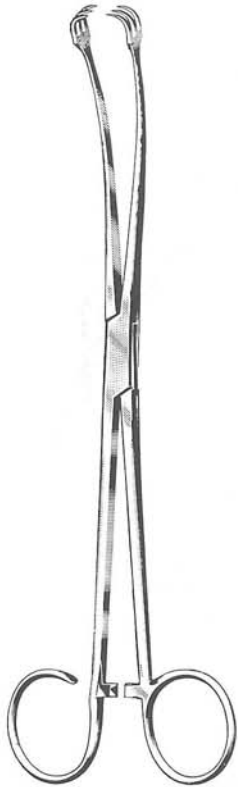


cm	WHITE
18	50.205.18
23	50.205.23

Tonsillen  
Tonsils  
Amygdales  
Amígdalas  
Tonsille

**dimeda**<sup>®</sup>

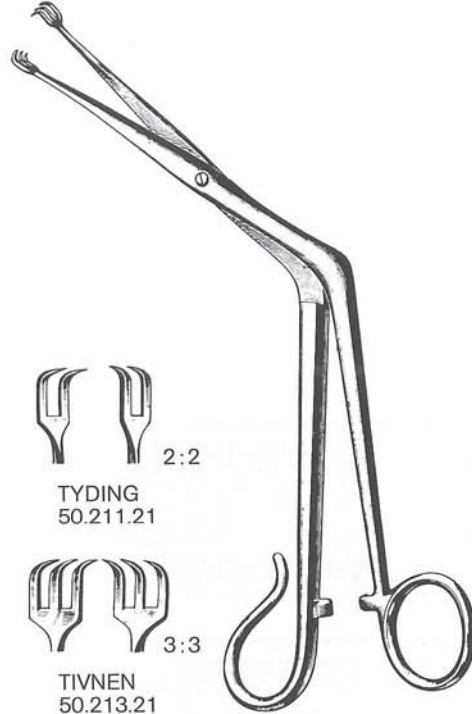
SURGICAL INSTRUMENTS



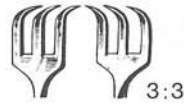
BALLENGER  
50.207.21  
21,5 cm



BLOHMKE  
50.209.20  
20 cm

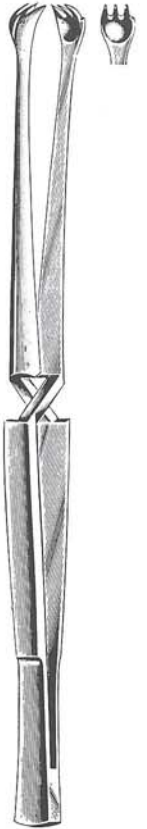


TYDING  
50.211.21



TIVNEN  
50.213.21

50.211.21-50.213.21  
21 cm



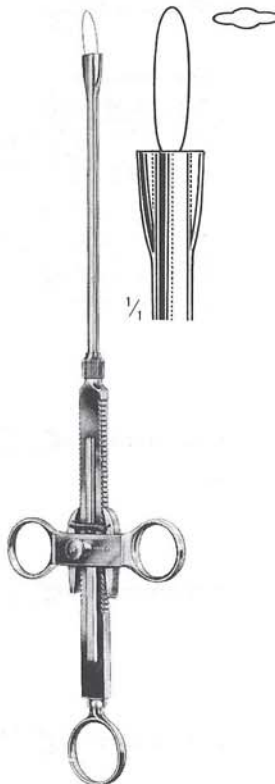
MARSCHIK  
50.219.22  
22 cm



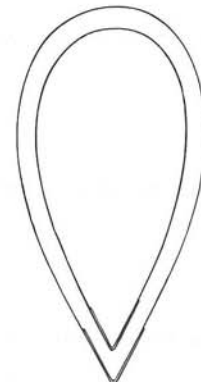
EVES  
50.250.28  
28 cm



EVES  
50.252.28  
28 cm



BRUENINGS  
50.256.28  
28 cm



mm	
40	50.257.40
50	50.257.50
	100 x

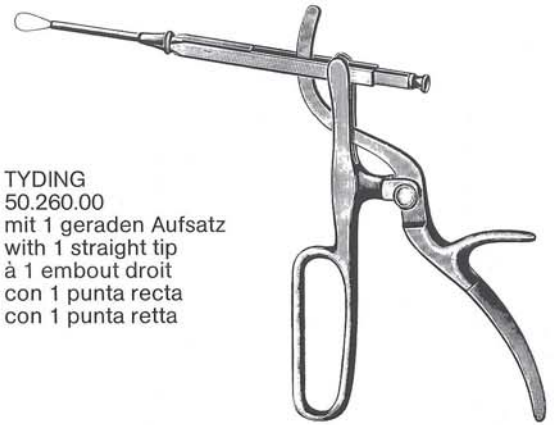


50.259.03  
0,3 mm  
12 x

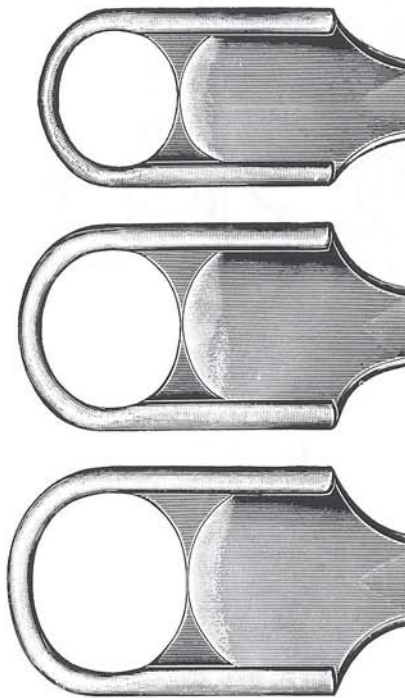
Tonsillen  
Tonsils  
Amygdales  
Amígdalas  
Tonsille

**dimed**<sup>®</sup>

SURGICAL INSTRUMENTS



TYDING  
50.260.00  
mit 1 geraden Aufsatz  
with 1 straight tip  
à 1 embout droit  
con 1 punta recta



1/4



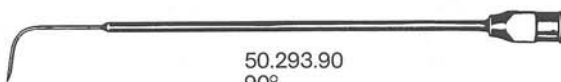
SLUDER-BALLENGER  
50.270.00  
mit 3 Aufsätzen  
with 3 blades  
avec 3 lames  
con 3 hojas  
con 3 lame



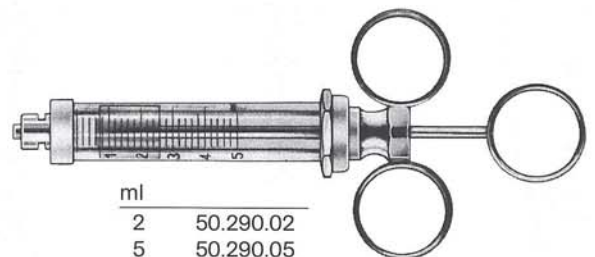
50.292.00



50.293.45  
45°



50.293.90  
90°



ml	
2	50.290.02
5	50.290.05
10	50.290.10

*dimeda*<sup>®</sup>

SURGICAL INSTRUMENTS