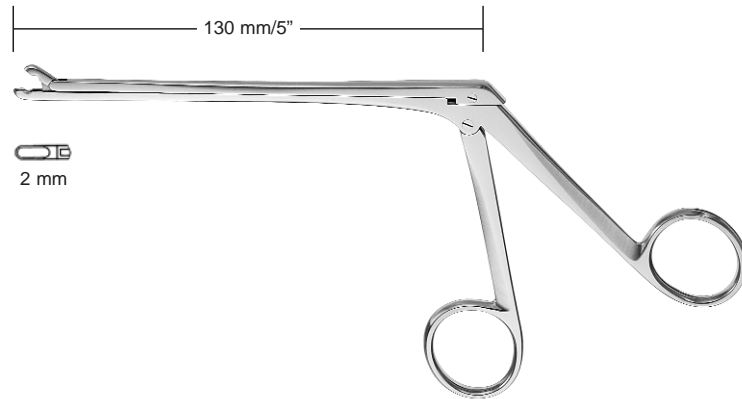
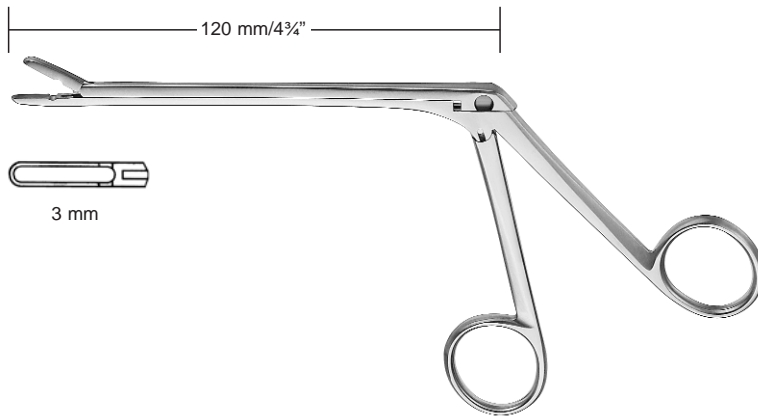


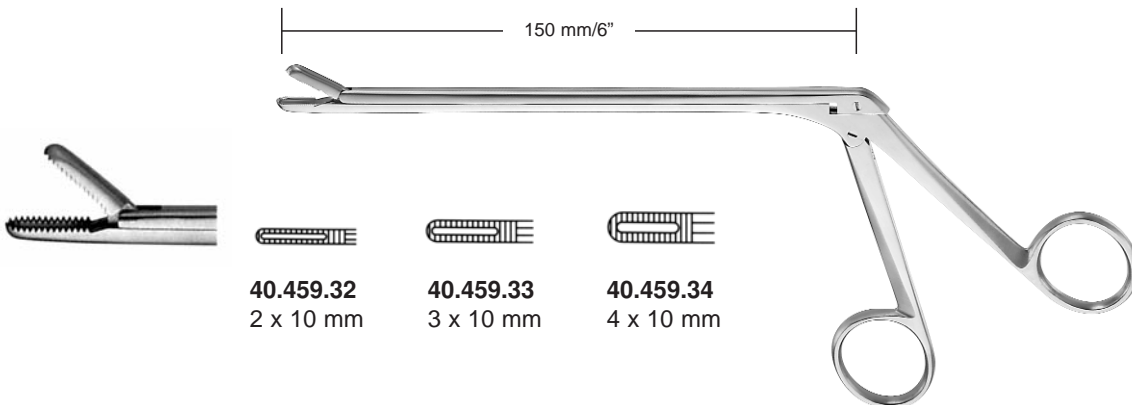
Stanzen
Rongeurs
Rongeurs
Pinzas saca-bocadas
Pinze taglianti



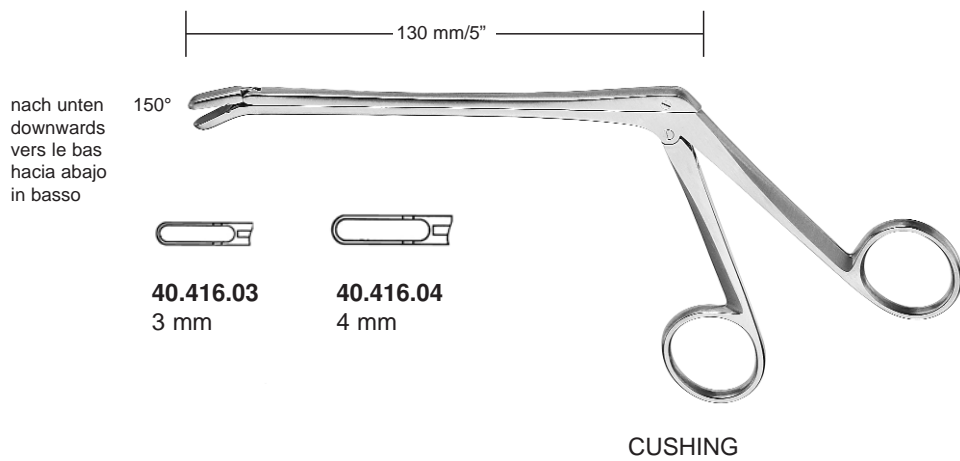
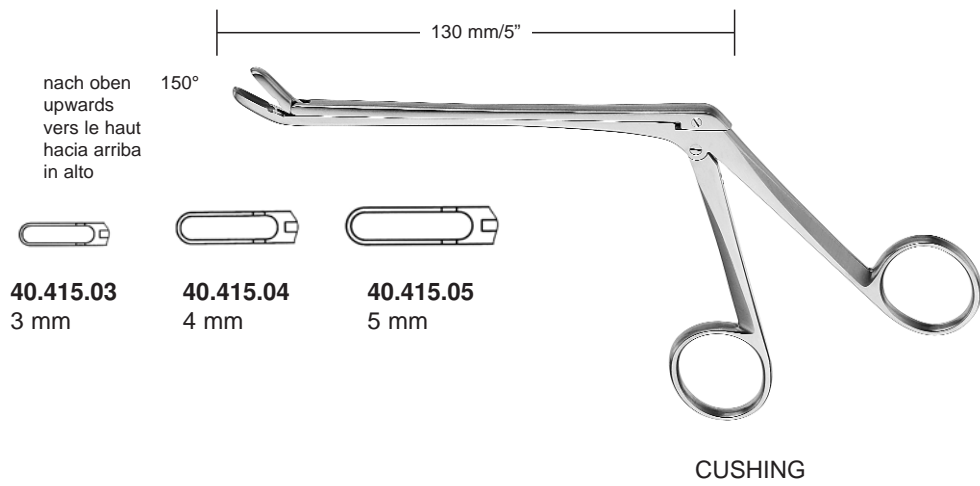
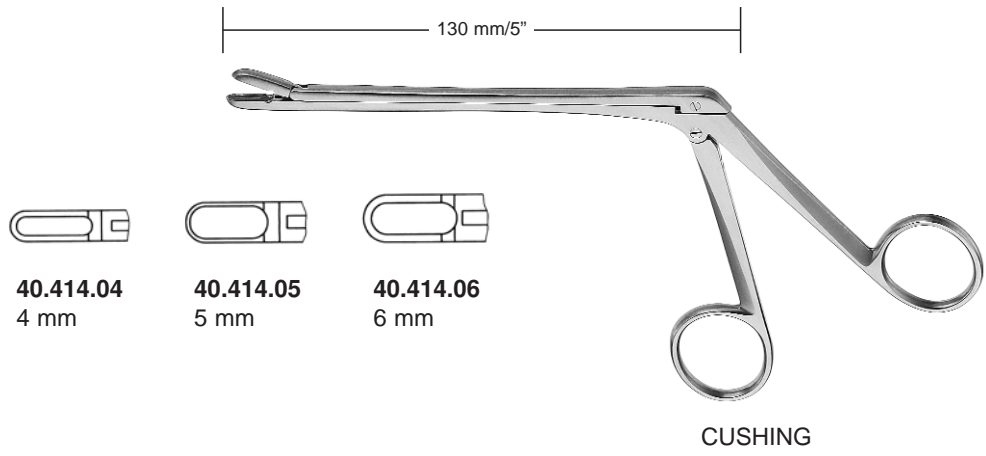
BECK
 40.413.02

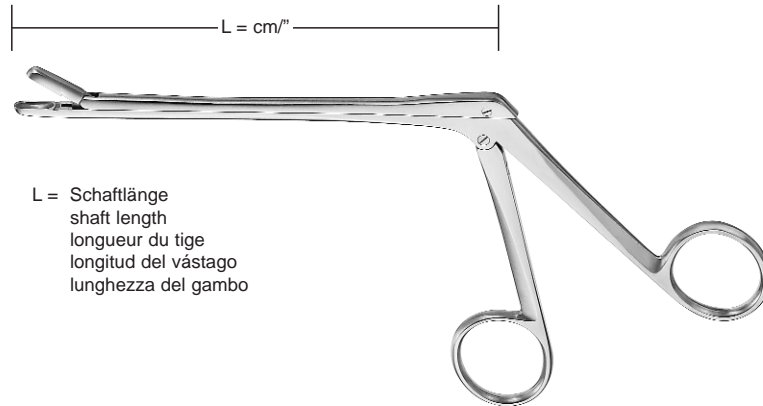


PENNYBACKER
 40.423.03



SCHLESINGER





L = Schaftlänge
 shaft length
 longueur du tige
 longitud del vástago
 lunghezza del gambo

2 x 10 mm



gerade
 straight
 droite
 recta
 diritta

CUSHING	
12,5 cm/5"	40.420.01
15,0 cm/6"	40.421.01
18,0 cm/7"	40.422.01

nach oben
 upwards
 vers le haut
 hacia arriba
 in alto

CUSHING

12,5 cm/5"	40.420.02
15,0 cm/6"	40.421.02
18,0 cm/7"	40.422.02

nach unten
 downwards
 vers le bas
 hacia abajo
 in basso

CUSHING

12,5 cm/5"	40.420.03
15,0 cm/6"	40.421.03
18,0 cm/7"	40.422.03

3 x 10 mm



gerade
 straight
 droite
 recta
 diritta

LOVE-GRUENWALD	
12,5 cm/5"	40.430.01
15,0 cm/6"	40.431.01
18,0 cm/7"	40.432.01

nach oben
 upwards
 vers le haut
 hacia arriba
 in alto

LOVE-GRUENWALD

12,5 cm/5"	40.430.02
15,0 cm/6"	40.431.02
18,0 cm/7"	40.432.02

nach unten
 downwards
 vers le bas
 hacia abajo
 in basso

LOVE-GRUENWALD

12,5 cm/5"	40.430.03
15,0 cm/6"	40.431.03
18,0 cm/7"	40.432.03

4 x 10 mm



gerade
 straight
 droite
 recta
 diritta

SPURLING	
12,5 cm/5"	40.440.01
15,0 cm/6"	40.441.01
18,0 cm/7"	40.442.01

nach oben
 upwards
 vers le haut
 hacia arriba
 in alto

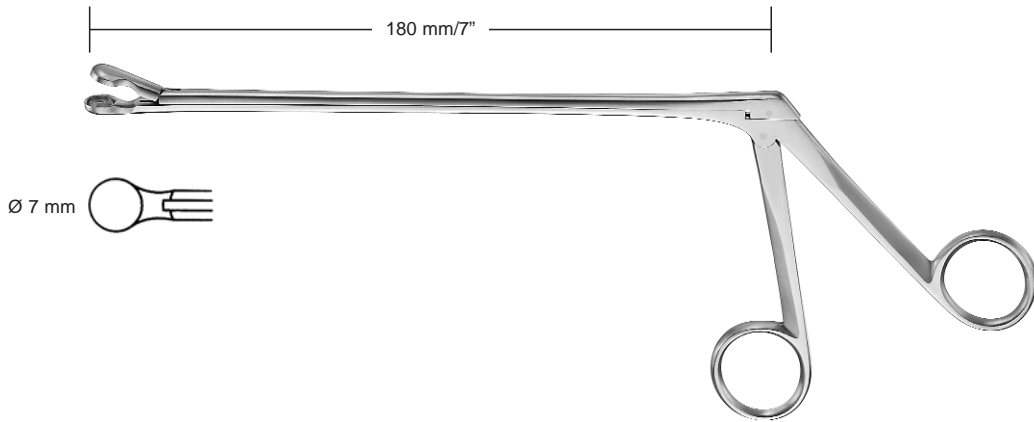
SPURLING

12,5 cm/5"	40.440.02
15,0 cm/6"	40.441.02
18,0 cm/7"	40.442.02

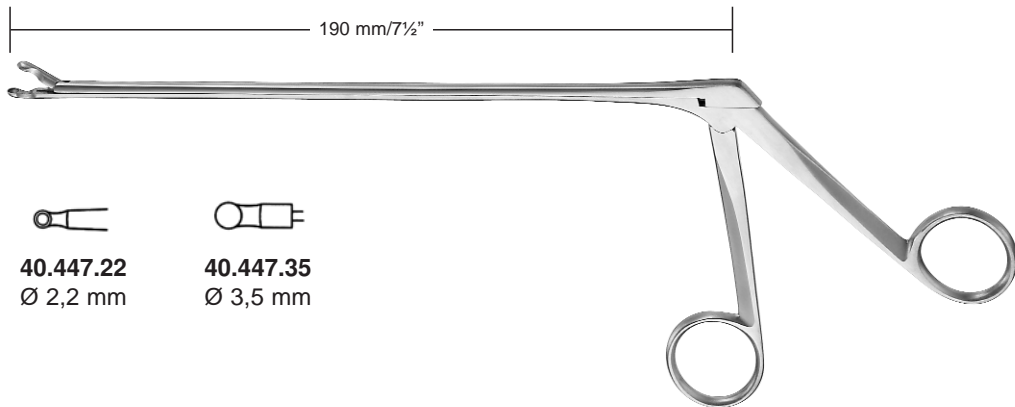
nach unten
 downwards
 vers le bas
 hacia abajo
 in basso

SPURLING

12,5 cm/5"	40.440.03
15,0 cm/6"	40.441.03
18,0 cm/7"	40.442.03



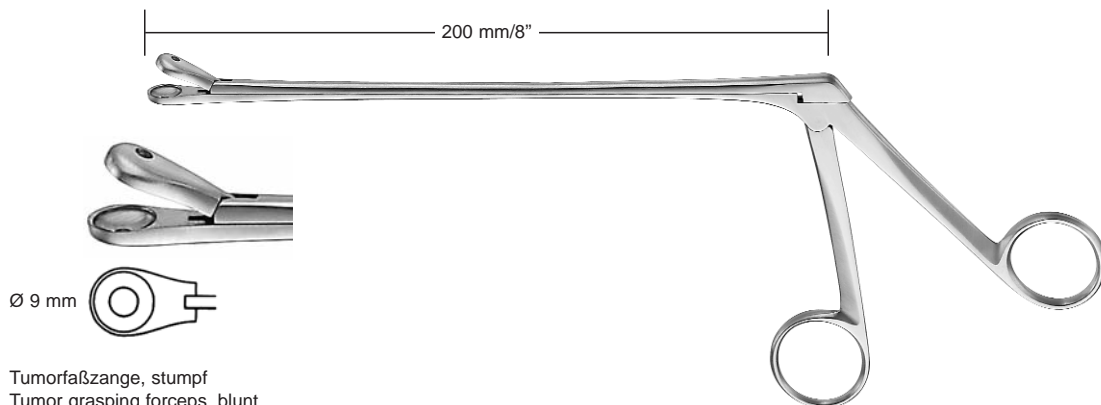
OLDBERG
40.445.25
 25 cm/10"



40.447.22
 Ø 2,2 mm

40.447.35
 Ø 3,5 mm

YASARGIL



Ø 9 mm

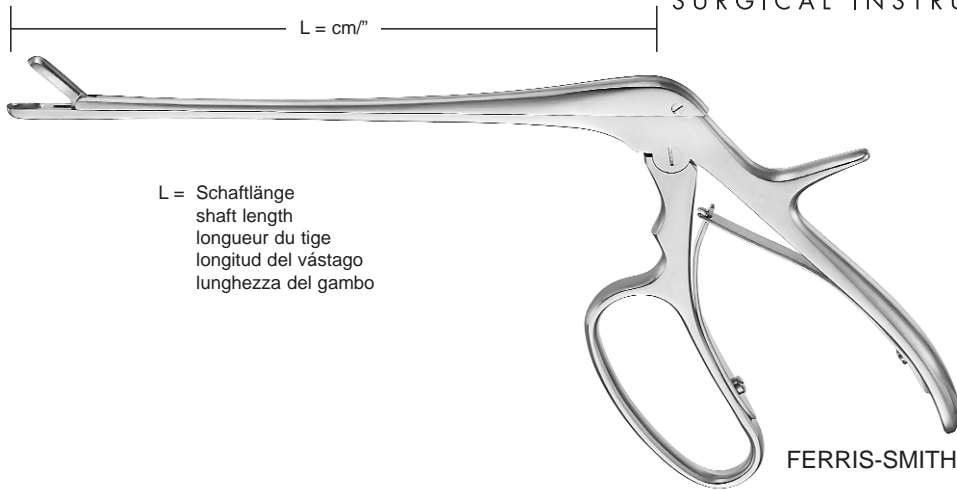
Tumorfaßzange, stumpf
 Tumor grasping forceps, blunt
 Pinces pour préhension de tumeurs, mousse
 Pinzas para agarrar tumores, romo
 Pinze per afferrare tumori, smusso

LANDOLT
40.448.20

Bandscheiben-Rongeur
 Rongeurs for intervertebral Discs
 Rongeurs pour disques intervertébraux
 Pinzas cortantes para discos intervertebrales
 Pinze spezzatrici per dischi intervertebrali

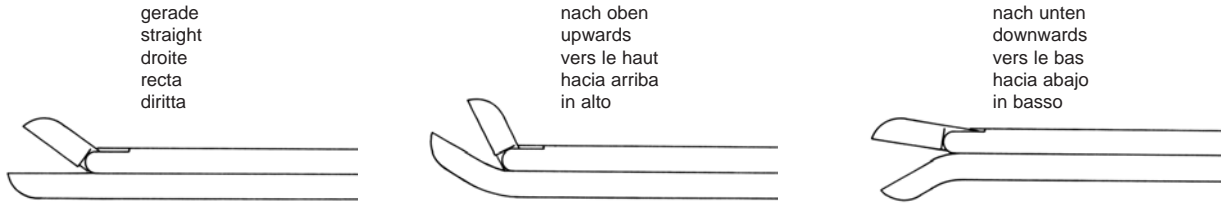
dimed[®]

SURGICAL INSTRUMENTS



L = Schaftlänge
 shaft length
 longueur du tige
 longitud del vástago
 lunghezza del gambo

FERRIS-SMITH-CUSHING

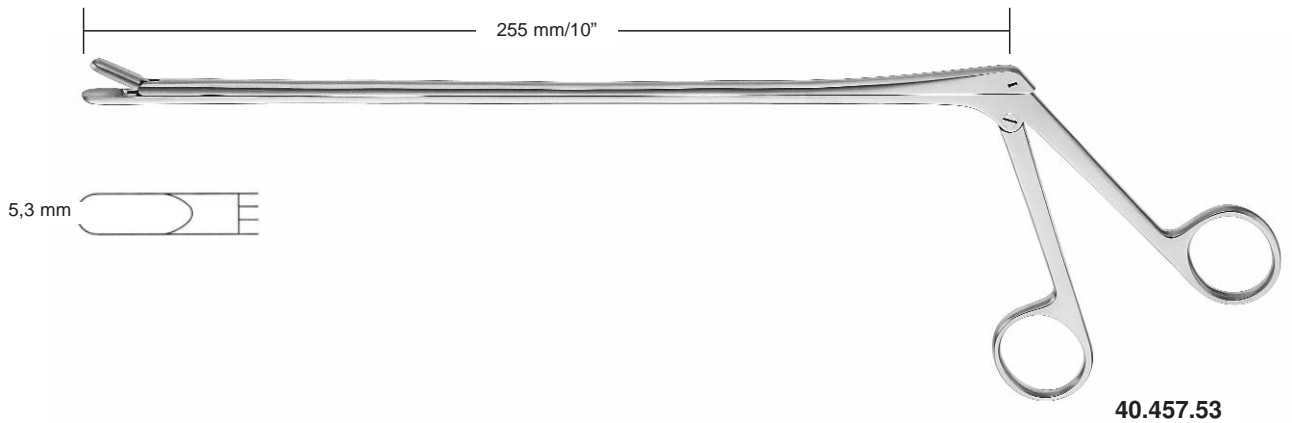


gerade
 straight
 droite
 recta
 diritta

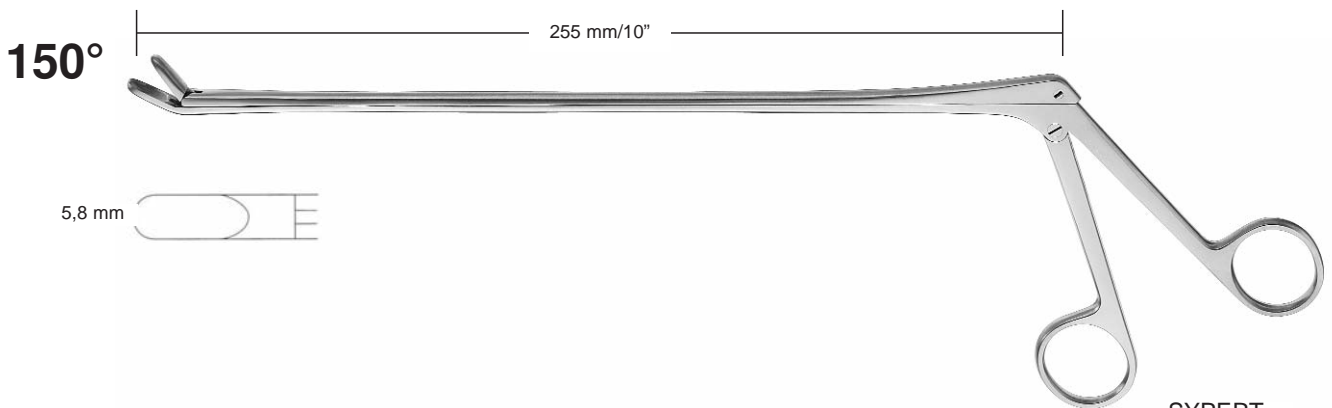
nach oben
 upwards
 vers le haut
 hacia arriba
 in alto

nach unten
 downwards
 vers le bas
 hacia abajo
 in basso

	16 cm/6¼"	18 cm/7"	16 cm/6¼"	18 cm/7"	16 cm/6¼"	18 cm/7"
2 x 10 mm		40.451.01		40.451.02		40.451.03
3 x 10 mm	40.450.01	40.452.01	40.450.02	40.452.02	40.450.03	40.452.03
4 x 10 mm		40.453.01		40.453.02		40.453.03



40.457.53

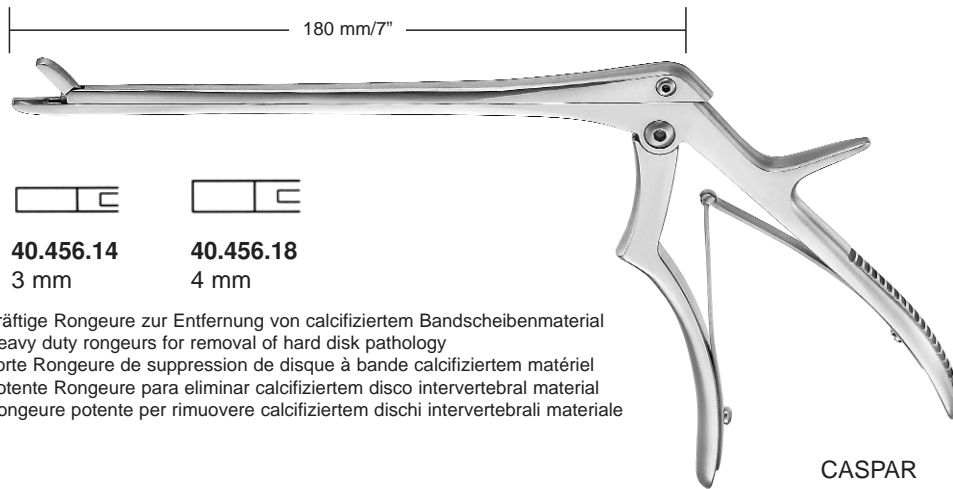


SYPERT
 40.457.58

Bandscheiben-Rongeur
 Rongeurs for intervertebral Discs
 Rongeurs pour disques intervertébraux
 Pinzas cortantes para discos intervertebrales
 Pinze spezzatrici per dischi intervertebrali

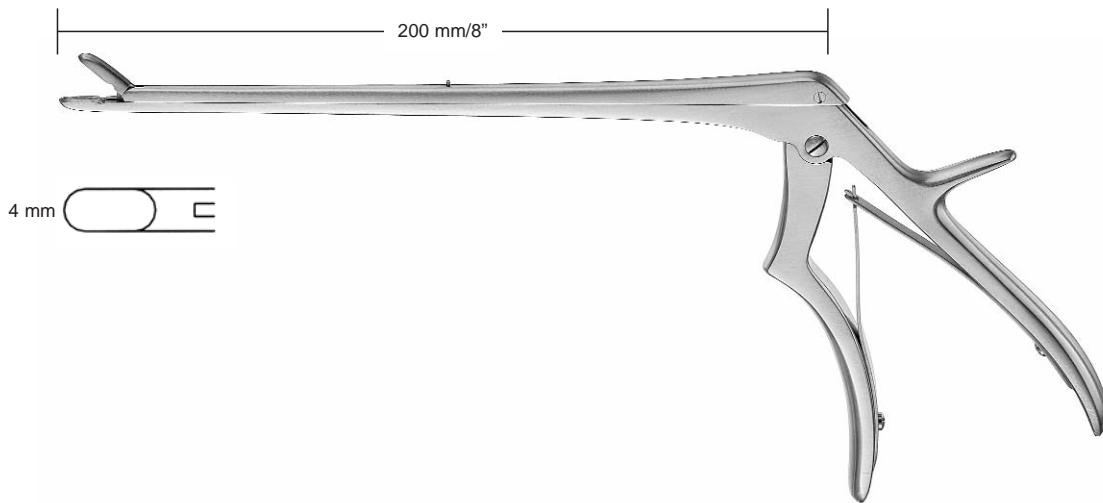
dimed[®]

SURGICAL INSTRUMENTS

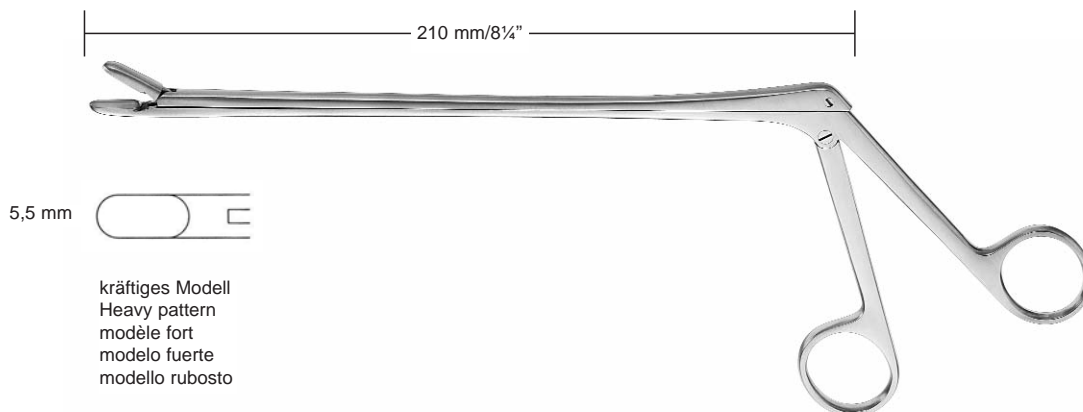


Kräftige Rongeur zur Entfernung von calcifiziertem Bandscheibenmaterial
 Heavy duty rongeurs for removal of hard disk pathology
 Forte Rongeur de suppression de disque à bande calcifié matériel
 Potente Rongeur para eliminar calcifié disco intervertebral material
 Rongeur potente per rimuovere calcifié dischi intervertebrali materiale

CASPAR



WAGNER
 40.458.20



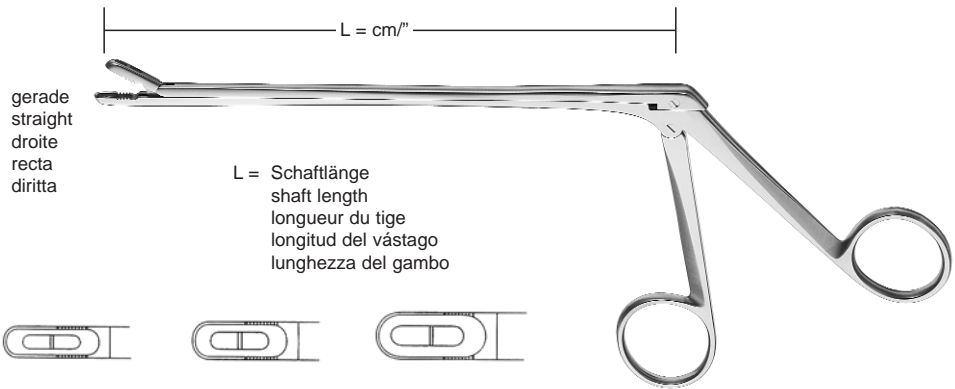
kräftiges Modell
 Heavy pattern
 modèle fort
 modelo fuerte
 modello rubosto

WAGNER
 40.458.21

Bandscheiben-Rongeur
 Rongeurs for intervertebral Discs
 Rongeurs pour disques intervertébraux
 Pinzas cortantes para discos intervertebrales
 Pinze spezzatrici per dischi intervertebrali

dimedda[®]

SURGICAL INSTRUMENTS



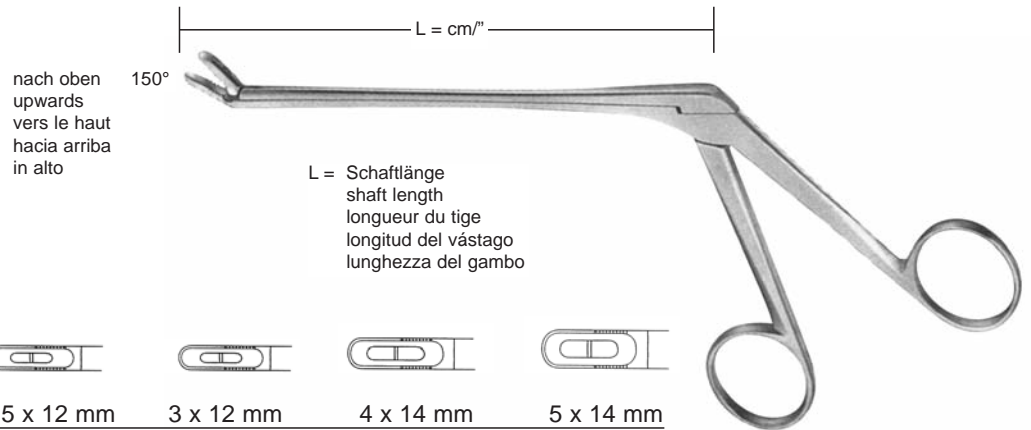
gerade
straight
droite
recta
diritta

L = Schaftlänge
shaft length
longueur du tige
longitud del vástago
lunghezza del gambo



	2 x 12 mm	3 x 12 mm	4 x 14 mm	5 x 14 mm	6 x 16 mm
14 cm/5½"	40.460.20	40.460.30	40.460.40	40.460.50	40.460.60
16 cm/6¼"	40.464.20	40.464.30	40.464.40	40.464.50	40.464.60
18,5 cm/7¼"	40.468.20	40.468.30	40.468.40	40.468.50	40.468.60

CASPAR



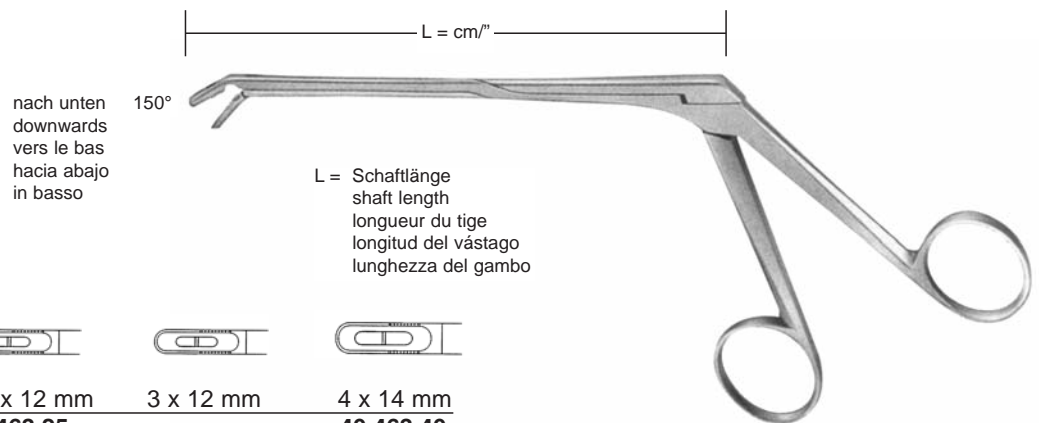
nach oben
upwards
vers le haut
hacia arriba
in alto

L = Schaftlänge
shaft length
longueur du tige
longitud del vástago
lunghezza del gambo



	2 x 12 mm	2,5 x 12 mm	3 x 12 mm	4 x 14 mm	5 x 14 mm
14 cm/5½"	40.461.20	40.461.25		40.461.40	40.461.50
16 cm/6¼"	40.465.20	40.465.25		40.465.40	40.465.50
18,5 cm/7¼"			40.469.30	40.469.40	40.469.50

CASPAR



nach unten
downwards
vers le bas
hacia abajo
in basso

L = Schaftlänge
shaft length
longueur du tige
longitud del vástago
lunghezza del gambo



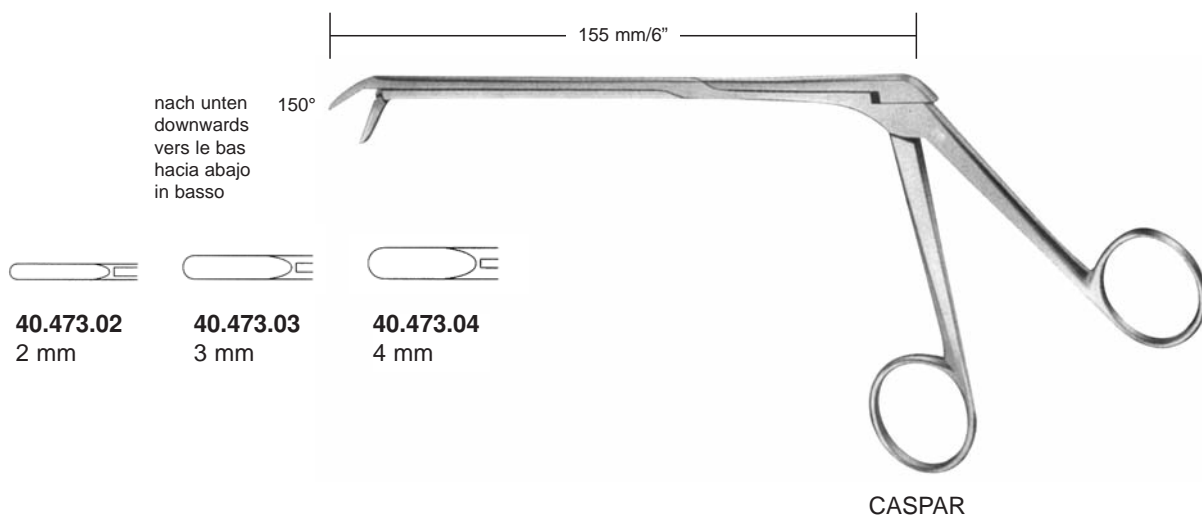
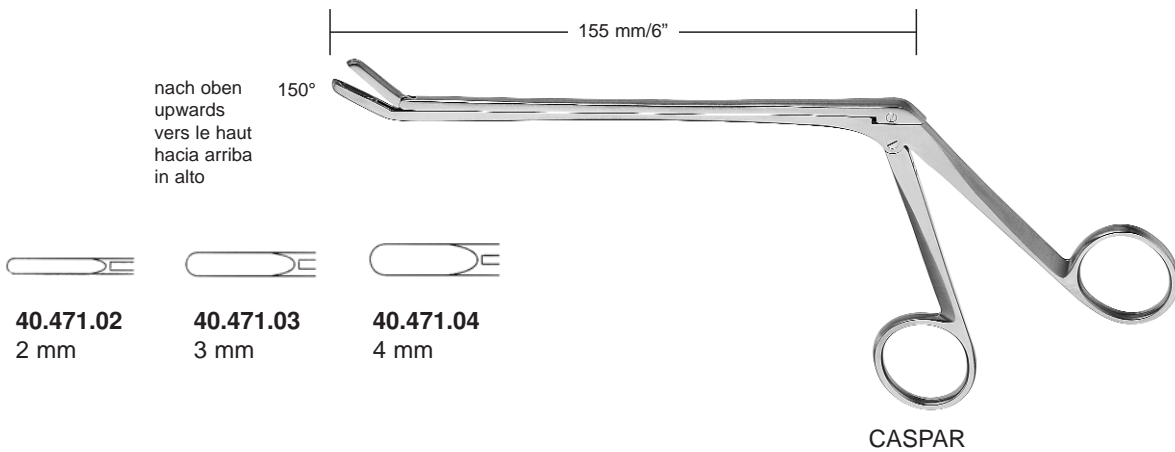
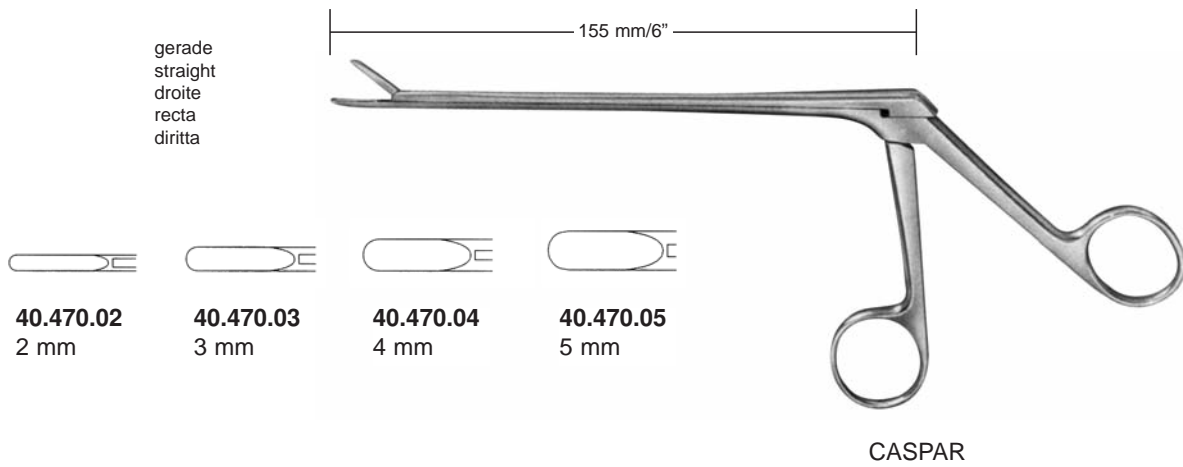
	2 x 12 mm	2,5 x 12 mm	3 x 12 mm	4 x 14 mm
14 cm/5½"	40.463.20	40.463.25		40.463.40
16 cm/6¼"	40.467.20	40.467.25		40.467.40
18,5 cm/7¼"			40.475.30	40.475.40

CASPAR

Bandscheiben-Rongeure
 Rongeurs for intervertebral Discs
 Rongeurs pour disques intervertébraux
 Pinzas cortantes para discos intervertebrales
 Pinze spezzatrici per dischi intervertebrali

dimeda[®]

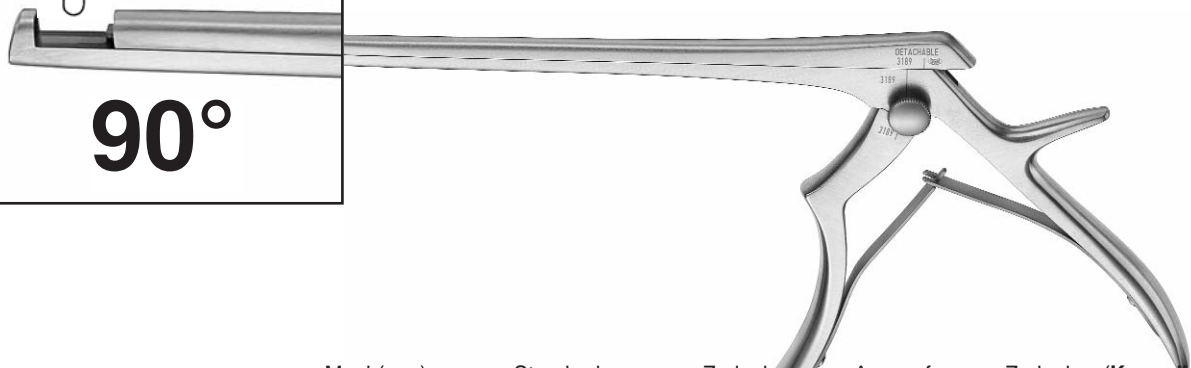
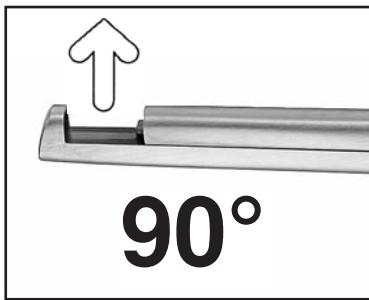
SURGICAL INSTRUMENTS



KERRISON Laminektomiestanzen
 KERRISON Laminectomy Rongeurs
 KERRISON Pincas emporte-pièce pour laminectomie
 KERRISON Pinzas saca-bocadas para laminectomía
 KERRISON Pinze taglianti per laminectomia

dimedda[®]

SURGICAL INSTRUMENTS

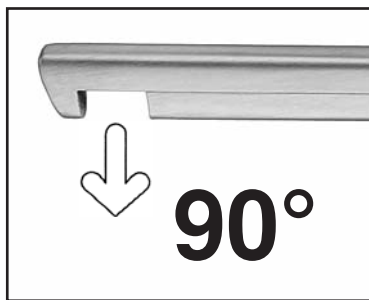


	Maul (mm) Jaw Size (mm) mors (mm) boca (mm) morso (mm)	Standard	Zerlegbar Dismantable Démontable Desmontable Smontabile	Auswerfer Ejector Éjecteur Expulsor Espulsore	Zerlegbar (Keramik) Dismantable (Ceramic) Démontable (Ceramic) Desmontable (Cerámica) Smontabile (Ceramica)	Auswerfer Ejector Éjecteur Expulsor Espulsore	
180 mm / 7"	1	40.510.01	40.496.01	-	40.496.01B	-	
	2	40.510.02	40.496.02	-	40.496.02B	-	
	3	40.510.03	40.496.03	☑	40.496.03B	☑	
	4	40.510.04	40.496.04	☑	40.496.04B	☑	
	5	40.510.05	40.496.05	☑	40.496.05B	☑	
	6	40.510.06	40.496.06	☑	40.496.06B	☑	
200 mm / 8"	1	40.510.11	40.496.11	-	40.496.11B	-	
	2	40.510.12	40.496.12	-	40.496.12B	-	
	3	40.510.13	40.496.13	☑	40.496.13B	☑	
	4	40.510.14	40.496.14	☑	40.496.14B	☑	
	5	40.510.15	40.496.15	☑	40.496.15B	☑	
	6	40.510.16	40.496.16	☑	40.496.16B	☑	
230 mm / 9"	1	40.510.21		-	40.497.02B	-	
	2	40.510.22	40.497.02	-	40.497.02B	-	
	3	40.510.23	40.497.03	☑	40.497.03B	☑	
	4	40.510.24	40.497.04	☑	40.497.04B	☑	
	5	40.510.25	40.497.05	☑	40.497.05B	☑	
	6	40.510.26	40.497.06	☑	40.497.06B	☑	
dünnpfuß thin foot plate	180 mm / 7"	1	40.510.31	40.496.21	-	40.496.21B	-
		2	40.510.32	40.496.22	-	40.496.22B	-
		3	40.510.33	40.496.23	☑	40.496.23B	☑
		4	40.510.34	40.496.24	☑	40.496.24B	☑
		5	40.510.35	40.496.25	☑	40.496.25B	☑
poinçonnage étroite	200 mm / 8"	2	40.510.42	40.496.32	-	40.496.32B	-
		3	40.510.43	40.496.33	☑	40.496.33B	☑
		4	40.510.44	40.496.34	☑	40.496.34B	☑
		5	40.510.45	40.496.35	☑	40.496.35B	☑
punzonar estrecha	230 mm / 9"	2	40.510.52	40.497.12	-	40.497.12B	-
		3	40.510.53	40.497.13	☑	40.497.13B	☑
		4	40.510.54	40.497.14	☑	40.497.14B	☑
		5	40.510.55	40.497.15	☑	40.497.15B	☑
sottile		6	40.510.56	40.497.16	☑	40.497.16B	☑

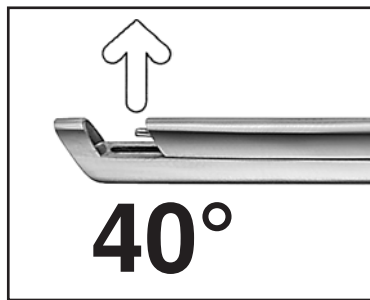
KERRISON Laminektomiestanzen
 KERRISON Laminectomy Rongeurs
 KERRISON Pincas emporte-pièce pour laminectomie
 KERRISON Pinzas saca-bocadas para laminectomía
 KERRISON Pinze taglienti per laminectomia

dimedda®

SURGICAL INSTRUMENTS



	Maul (mm) Jaw Size (mm) mors (mm) boca (mm) morso (mm)	Standard	Zerlegbar Dismantable Démontable Desmontable Smontabile	Auswerfer Ejector Éjecteur Expulsor Espulsore	Zerlegbar (Keramik) Dismantable (Ceramic) Démontable (Ceramic) Desmontable (Cerámica) Smontabile (Ceramica)	Auswerfer Ejector Éjecteur Expulsor Espulsore
180 mm / 7"	1	40.511.01	40.498.01	-	40.498.01B	-
	2	40.511.02	40.498.02	-	40.498.02B	-
	3	40.511.03	40.498.03	☑	40.498.03B	☑
	4	40.511.04	40.498.04	☑	40.498.04B	☑
	5	40.511.05	40.498.05	☑	40.498.05B	☑
	6	40.511.06	40.498.06	☑	40.498.06B	☑
200 mm / 8"	1	40.499.11	40.498.11	-	40.498.11B	-
	2	40.499.12	40.498.12	-	40.498.12B	-
	3	40.499.13	40.498.13	☑	40.498.13B	☑
	4	40.499.14	40.498.14	☑	40.498.14B	☑
	5	40.499.15	40.498.15	☑	40.498.15B	☑
	6	40.499.16	40.498.16	☑	40.498.16B	☑
230 mm / 9"	2	40.499.42	40.499.02	-	40.499.02B	-
	3	40.499.43	40.499.03	☑	40.499.03B	☑
	4	40.499.44	40.499.04	☑	40.499.04B	☑
	5	40.499.45	40.499.05	☑	40.499.05B	☑
	6	40.499.46	40.499.06	☑	40.499.06B	☑
	180 mm / 7" dünnfuß thin foot plate	1	40.499.21	40.498.21	-	40.498.21B
2		40.499.22	40.498.22	-	40.498.22B	-
3		40.499.23	40.498.23	☑	40.498.23B	☑
4		40.499.24	40.498.24	☑	40.498.24B	☑
5		40.499.25	40.498.25	☑	40.498.25B	☑
200 mm / 8" poinçonnage étroite	1	40.499.31	40.498.31	-	40.498.31B	-
	2	40.499.32	40.498.32	-	40.498.32B	-
	3	40.499.33	40.498.33	☑	40.498.33B	☑
	4	40.499.34	40.498.34	☑	40.498.34B	☑
	5	40.499.35	40.498.35	☑	40.498.35B	☑
punzonar estrecha sottile	230 mm / 9"	40.499.52	40.498.52	☑	40.498.52B	☑
	3	40.499.53	40.498.53	☑	40.498.53B	☑
	4	40.499.54	40.498.54	☑	40.498.54B	☑
	5	40.499.55	40.498.55	☑	40.498.55B	☑



	Maul (mm) Jaw Size (mm) mors (mm) boca (mm) morso (mm)	Standard Standard Standard Estándar Standard	Zerlegbar Dismantable Démontable Desmontable Smontabile	Auswerfer Ejector Éjecteur Expulsor Espulsore	Zerlegbar (Keramik) Dismantable (Ceramic) Démontable (Ceramic) Desmontable (Cerámica) Smontabile (Ceramica)	Auswerfer Ejector Éjecteur Expulsor Espulsore
180 mm / 7"	1	40.512.01	40.500.01	-	40.500.01B	-
	2	40.512.02	40.500.02	-	40.500.02B	-
	3	40.512.03	40.500.03	☑	40.500.03B	☑
	4	40.512.04	40.500.04	☑	40.500.04B	☑
	5	40.512.05	40.500.05	☑	40.500.05B	☑
	6	40.512.06	40.500.06	☑	40.500.06B	☑
200 mm / 8"	2	40.511.22	40.501.02	-	40.501.02B	-
	3	40.511.23	40.501.03	☑	40.501.03B	☑
	4	40.511.24	40.501.04	☑	40.501.04B	☑
	5	40.511.25	40.501.05	☑	40.501.05B	☑
	6	40.511.26	40.501.06	☑	40.501.06B	☑
	230 mm / 9"	2	40.542.02	40.502.02	-	40.502.02B
3		40.542.03	40.502.03	☑	40.502.03B	☑
4		40.542.04	40.502.04	☑	40.502.04B	☑
5		40.542.05	40.502.05	☑	40.502.05B	☑
280 mm / 11"	2	40.511.32				
	3	40.511.33				
	4	40.511.34				
	5	40.511.35				
	6	40.511.36				
	180 mm / 7"	1	40.511.11	40.500.11	-	40.500.11B
2		40.511.12	40.500.12	-	40.500.12B	-
3		40.511.13	40.500.13	☑	40.500.13B	☑
4		40.511.14	40.500.14	☑	40.500.14B	☑
5		40.511.15	40.500.15	☑	40.500.15B	☑
200 mm / 8"	1	40.511.41	40.501.11	-	40.501.11B	-
	2	40.511.42	40.501.12	-	40.501.12B	-
	3	40.511.43	40.501.13	☑	40.501.13B	☑
	4	40.511.44	40.501.14	☑	40.501.14B	☑
	5	40.511.45	40.501.15	☑	40.501.15B	☑
230 mm / 9"	2	40.542.12	40.502.12	-	40.502.12B	-
	3	40.542.13	40.502.13	☑	40.502.13B	☑
	4	40.542.14	40.502.14	☑	40.502.14B	☑
	5	40.542.15	40.502.15	☑	40.502.15B	☑

dünnfuß
thin
foot plate

poinçonnage
étroite

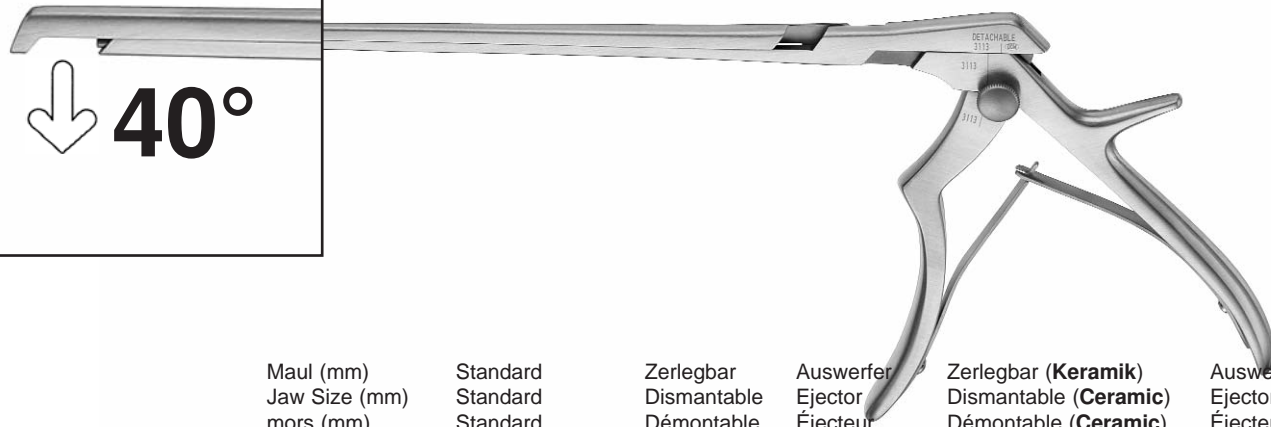
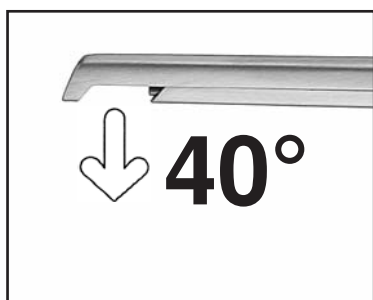
punzonar
estrecha

sottile

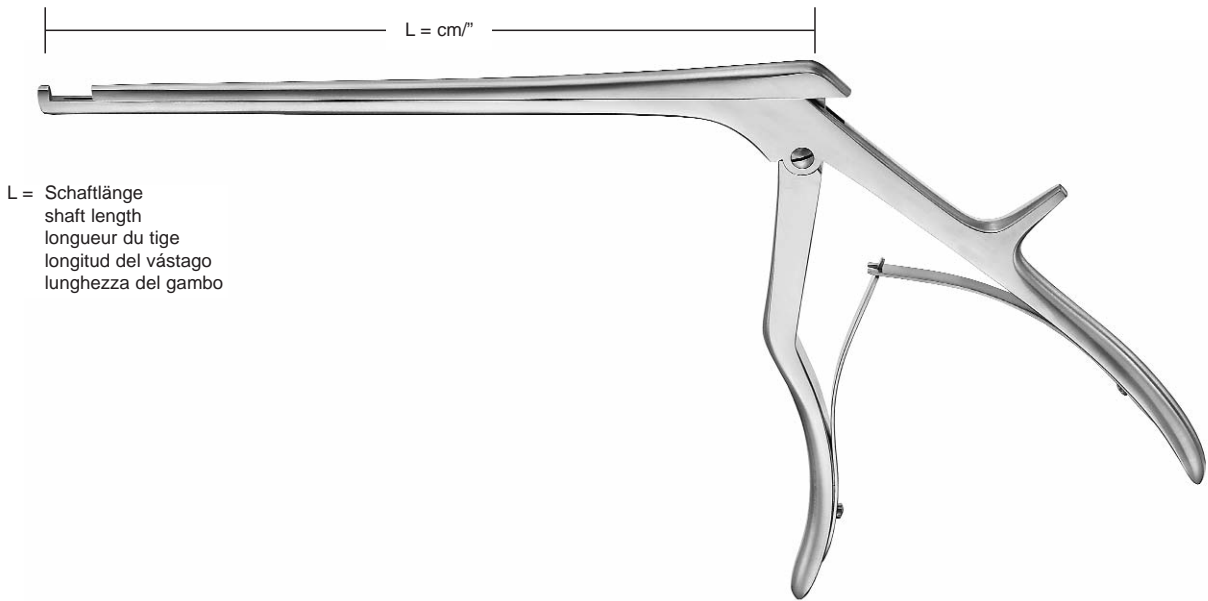
KERRISON Laminektomiestanzen
 KERRISON Laminectomy Rongeurs
 KERRISON Pincas emporte-pièce pour laminectomie
 KERRISON Pinzas saca-bocadas para laminectomía
 KERRISON Pinze taglianti per laminectomia

dimedda®

SURGICAL INSTRUMENTS

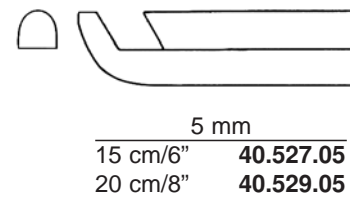
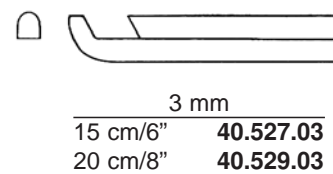
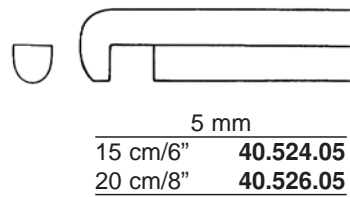
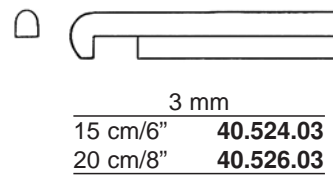
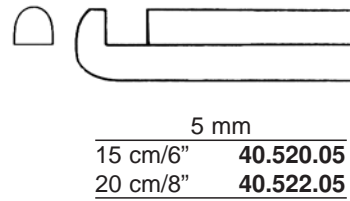
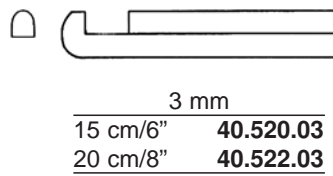


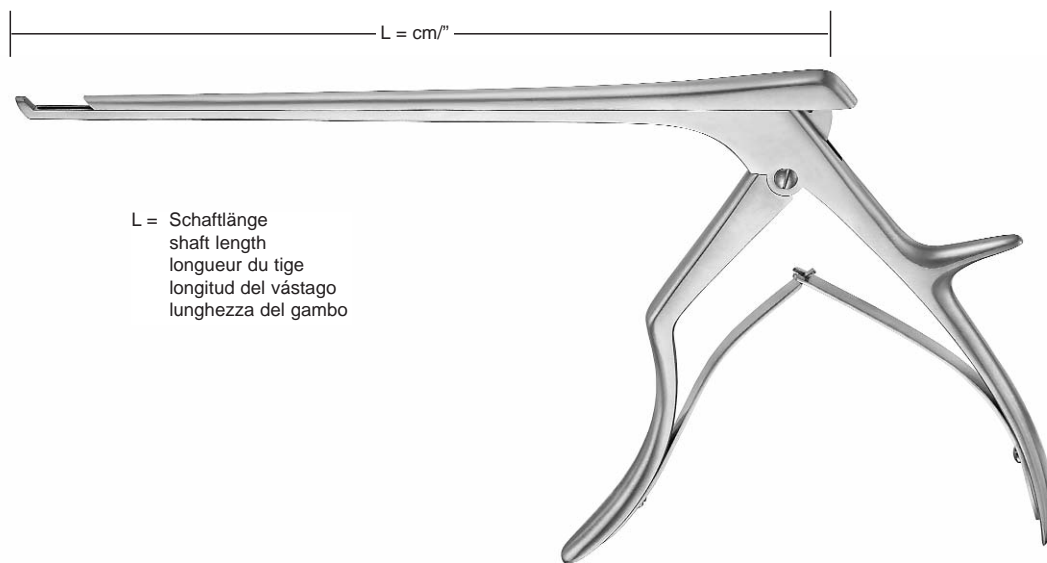
	Maul (mm) Jaw Size (mm) mors (mm) boca (mm) morso (mm)	Standard	Zerlegbar Dismantable Démontable Desmontable Smontabile	Auswerfer Ejector Éjecteur Expulsor Espulsore	Zerlegbar (Keramik) Dismantable (Ceramic) Démontable (Ceramic) Desmontable (Cerámica) Smontabile (Ceramica)	Auswerfer Ejector Éjecteur Expulsor Espulsore	
180 mm / 7"	1	40.514.01	40.503.01	-	40.503.01B	-	
	2	40.514.02	40.503.02	-	40.503.02B	-	
	3	40.514.03	40.503.03	☑	40.503.03B	☑	
	4	40.514.04	40.503.04	☑	40.503.04B	☑	
	5	40.514.05	40.503.05	☑	40.503.05B	☑	
200 mm / 8"	1	40.514.21	40.503.21	-	40.503.21B	-	
	2	40.514.22	40.503.22	-	40.503.22B	-	
	3	40.514.23	40.503.23	☑	40.503.23B	☑	
	4	40.514.24	40.503.24	☑	40.503.24B	☑	
	5	40.514.25	40.503.25	☑	40.503.25B	☑	
	6	40.514.26	40.503.26	☑	40.503.26B	☑	
230 mm / 9"	2	40.543.02	40.504.02	-	40.504.02B	-	
	3	40.543.03	40.504.03	☑	40.504.03B	☑	
	4	40.543.04	40.504.04	☑	40.504.04B	☑	
	5	40.543.05	40.504.05	☑	40.504.05B	☑	
	6	40.543.06	40.504.06	☑	40.504.06B	☑	
dünnpfuß thin foot plate	180 mm / 7"	1	40.514.11	40.503.11	-	40.503.11B	-
	2	40.514.12	40.503.12	-	40.503.12B	-	
	3	40.514.13	40.503.13	☑	40.503.13B	☑	
	4	40.514.14	40.503.14	☑	40.503.14B	☑	
	5	40.514.15	40.503.15	☑	40.503.15B	☑	
poinçonnage étroite	200 mm / 8"	1	40.514.31	40.503.31	-	40.503.31B	-
	2	40.514.32	40.503.32	-	40.503.32B	-	
	3	40.514.33	40.503.33	☑	40.503.33B	☑	
	4	40.514.34	40.503.34	☑	40.503.34B	☑	
	5	40.514.35	40.503.35	☑	40.503.35B	☑	
punzonar estrecha	230 mm / 9"	2	40.543.12	40.504.12	-	40.504.12B	-
	3	40.543.13	40.504.13	☑	40.504.13B	☑	
	4	40.543.14	40.504.14	☑	40.504.14B	☑	
	5	40.543.15	40.504.15	☑	40.504.15B	☑	
	sottile	230 mm / 9"	2	40.543.12	40.504.12	-	40.504.12B
3		40.543.13	40.504.13	☑	40.504.13B	☑	
4		40.543.14	40.504.14	☑	40.504.14B	☑	
5		40.543.15	40.504.15	☑	40.504.15B	☑	



L = Schaftlänge
 shaft length
 longueur du tige
 longitud del vástago
 lunghezza del gambo

COLCLOUGH





L = Schaftlänge
 shaft length
 longueur du tige
 longitud del vástago
 lunghezza del gambo

SCHLESING



15 cm/6" 20 cm/8"

 3 mm **40.530.03** **40.532.03**

 5 mm **40.530.05** **40.532.05**




15 cm/6" 20 cm/8"

 3 mm **40.534.03** **40.536.03**

 5 mm **40.534.05** **40.536.05**



15 cm/6" 20 cm/8"

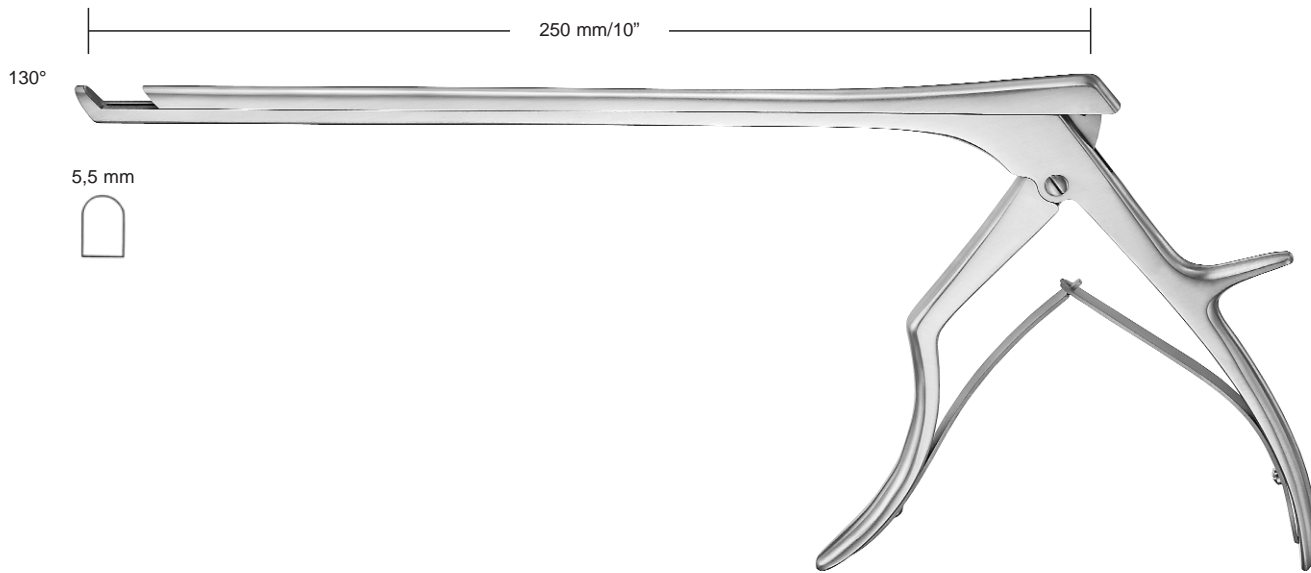
 3 mm **40.538.03** **40.540.03**

 5 mm **40.538.05** **40.540.05**

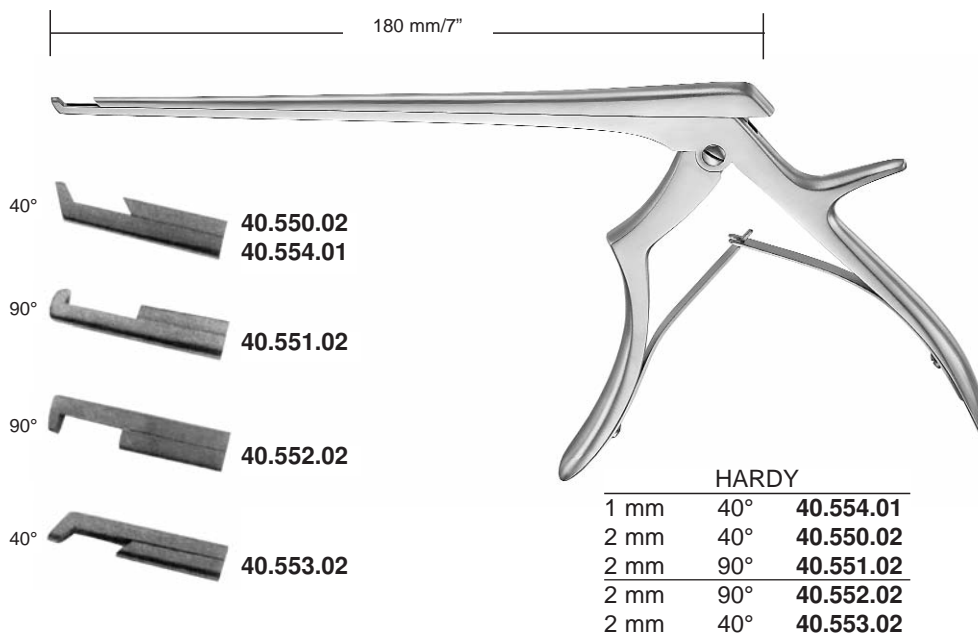
Laminektomiestanzen
 Laminectomy Rongeurs
 Pincas emporte-pièce pour laminectomie
 Pinzas saca-bocadas para laminectomía
 Pinze taglianti per laminectomia

dimeda[®]

SURGICAL INSTRUMENTS



SYPERT
 40.546.55



HARDY

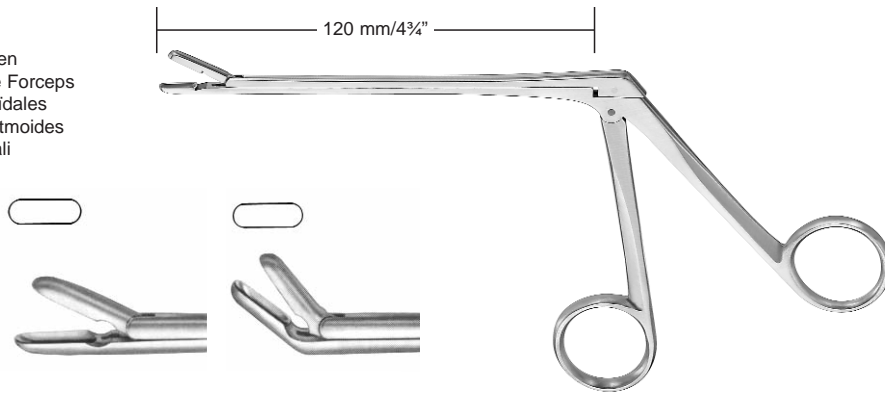
1 mm	40°	40.554.01
2 mm	40°	40.550.02
2 mm	90°	40.551.02
2 mm	90°	40.552.02
2 mm	40°	40.553.02

Siebbeinzangen
 Ethmoid Bone Forceps
 Pincers éthmoidales
 Pinzas para etmoides
 Pinze etmoidali

dimeda[®]

SURGICAL INSTRUMENTS

Siebbeinzangen
 Ethmoid Bone Forceps
 Pincers éthmoidales
 Pinzas para etmoides
 Pinze etmoidali

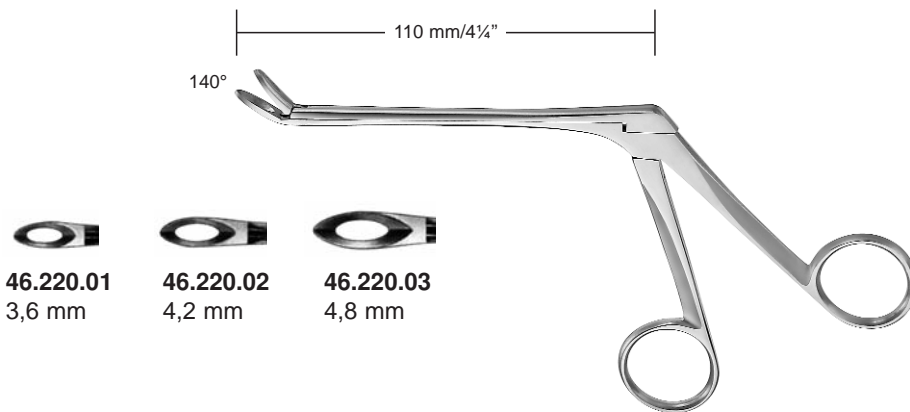


2 x 10 mm	46.175.02	
3 x 10 mm	46.175.03	46.175.04

gerade
 straight
 droite
 recta
 diritta

nach oben
 upwards
 vers le haut
 hacia arriba
 in alto

TAKAHASHI
 19 cm / 7 1/2"

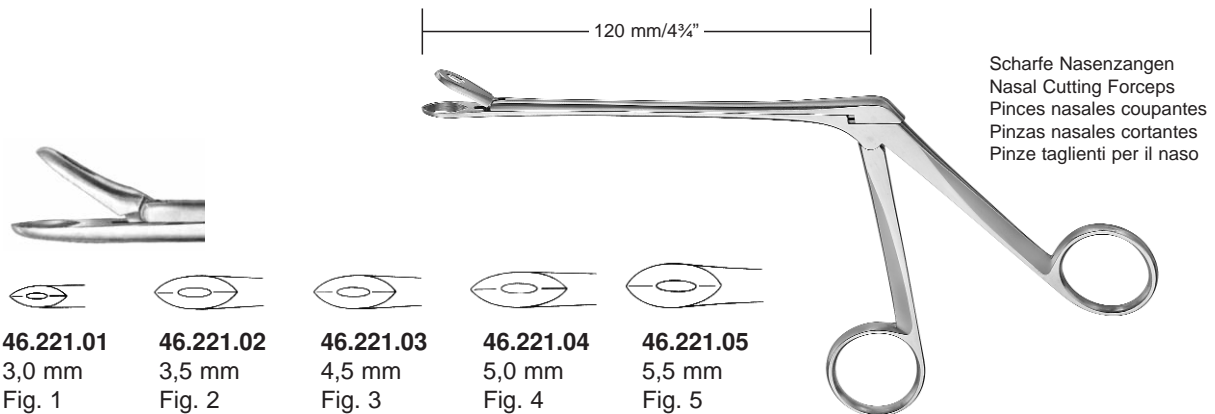


46.220.01
 3,6 mm

46.220.02
 4,2 mm

46.220.03
 4,8 mm

WEIL-BLAKESLEY
 18 cm / 7"



Scharfe Nasenzangen
 Nasal Cutting Forceps
 Pincers nasales coupantes
 Pinzas nasales cortantes
 Pinze taglienti per il naso

46.221.01
 3,0 mm
 Fig. 1

46.221.02
 3,5 mm
 Fig. 2

46.221.03
 4,5 mm
 Fig. 3

46.221.04
 5,0 mm
 Fig. 4

46.221.05
 5,5 mm
 Fig. 5

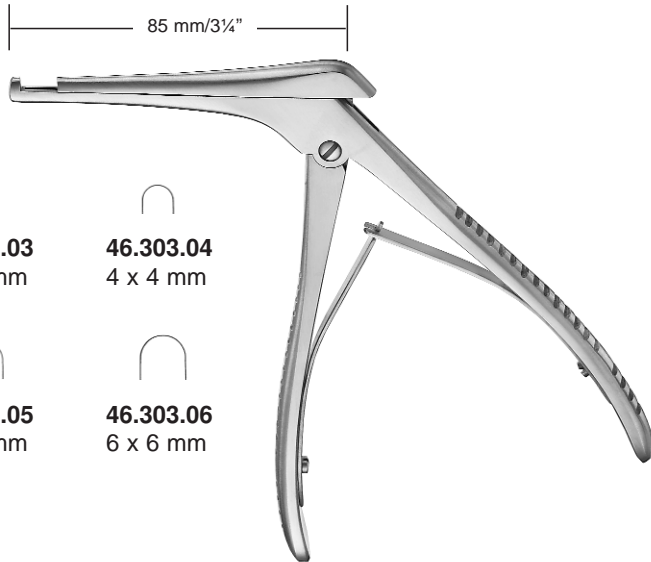
WEIL-BLAKESLEY
 19 cm / 7 1/2"





Knochenstanzen
 Mastoid Rongeurs
 Pincas emporte-pièce pour os
 Pinzas cortantes para huesos
 Pinze ossivore

dimeda[®]

SURGICAL INSTRUMENTS

oben schneidend
 up cutting
 tranchant en haut
 cortante por arriba
 tagliente in alto



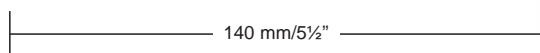
-  **46.303.03**
3 x 3 mm
-  **46.303.04**
4 x 4 mm
-  **46.303.05**
5 x 5 mm
-  **46.303.06**
6 x 6 mm

KERRISON
17 cm/6 3/4"



CITELLI
 1,0 mm **46.311.10**
 2,5 mm **46.311.25**
 4,0 mm **46.311.40**

Keilbeinstanzen
 Sphenoid Bone Punches
 Pincas emporte-pièces pour sinus sphénoïdal
 Pinzas sacabocadas para esfenoïdes
 Pinze taglianti per seno sfenoïdale

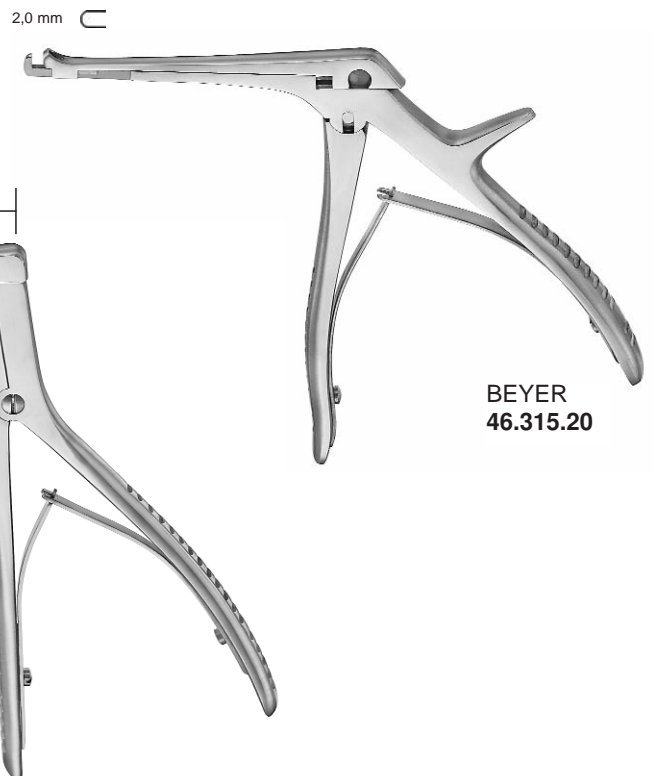


HAJEK
46.304.01
4 x 4 mm

HAJEK
46.304.02
4 x 4 mm

HAJEK-KOFLER
46.305.01
3,5 x 3,5 mm

HAJEK-KOFLER
46.305.02
3,5 x 3,5 mm



BEYER
46.315.20